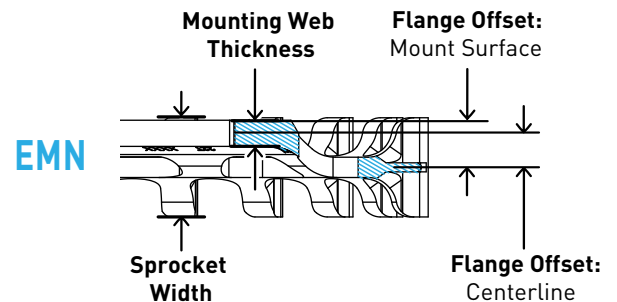
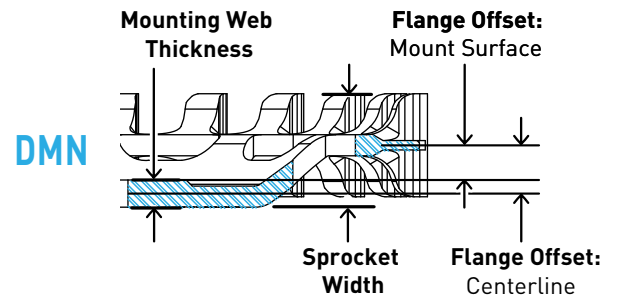
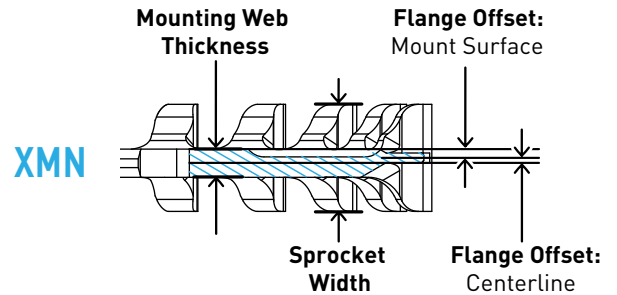
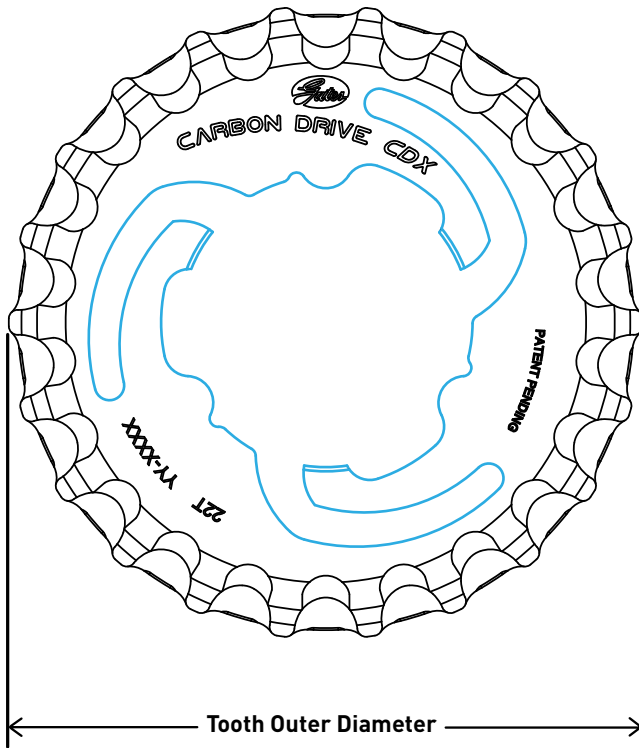


REAR

SHIMANO/SRAM



**CDX REAR: SHIMANO/SRAM SUREFIT 3-LOBE**

Teeth	Part Number	Tooth Outer Diameter	Mounting Web Thickness	Sprocket Width	Flange Offset: Mount Surface	Flange Offset: Centerline
<b>SUREFIT 3-LOBE</b>						
22	CT1122XMN	75.3	2.9	11.0	0.9	.55
24	CT1124XMN	82.3	2.9	11.0	0.9	.55
26	CT1126XMN	89.3	2.9	11.0	0.9	.55
<b>SHIMANO Di2</b>						
28	CT1128DMN	96.3	2.9	12.1	3.71	5.16
<b>SRAM E-MATIC</b>						
22	CT1122EMN	75.3	2.9	11.0	5.23	3.78

Note: NMN sprockets are no longer recommended for SHIMANO and SRAM 3-lobe hubs. Use XMN sprockets for optimal performance.