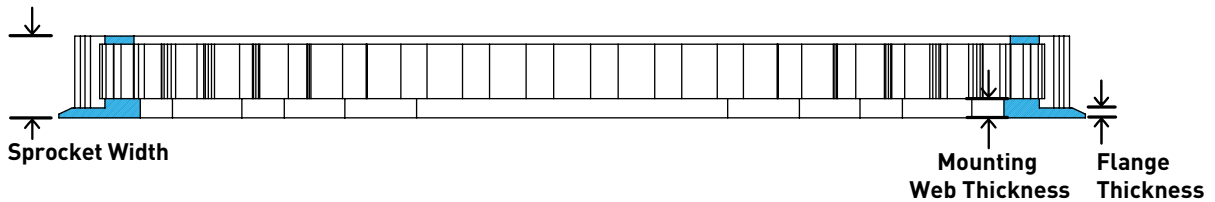
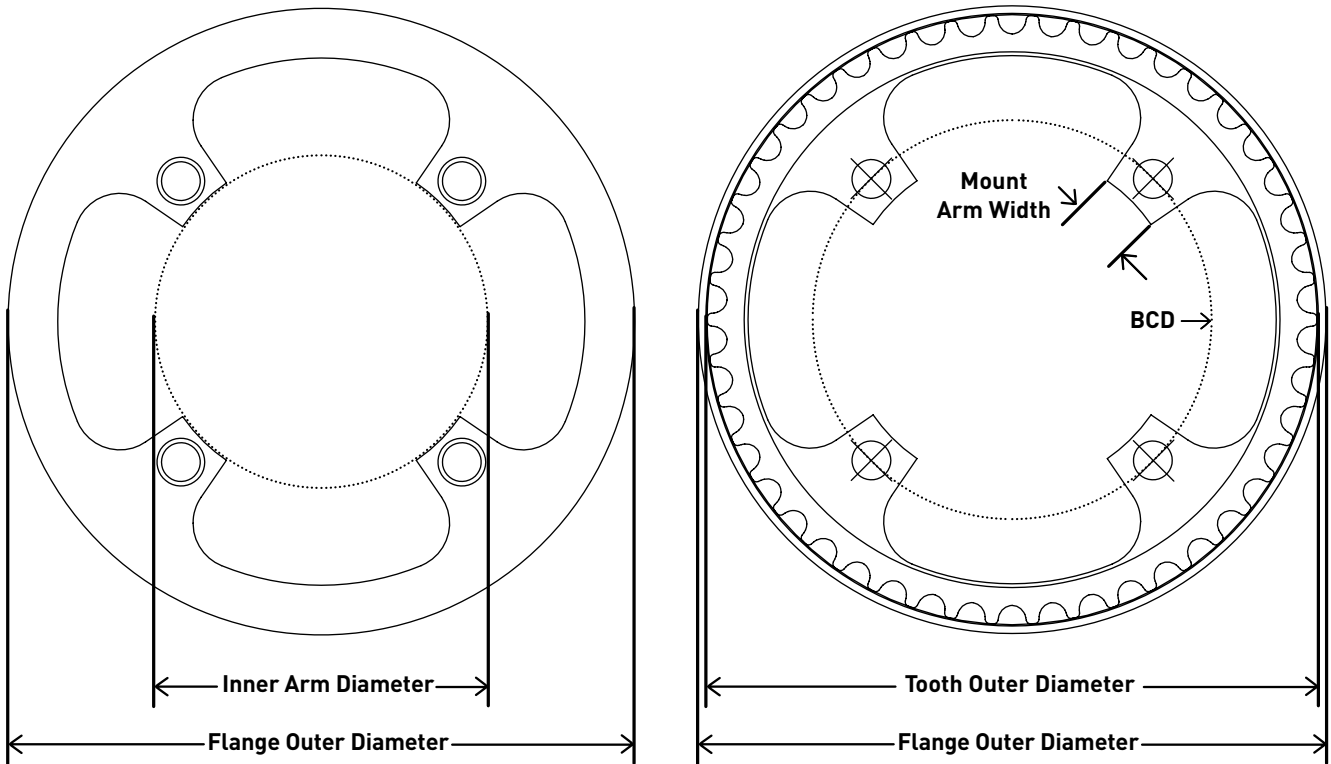


FRONT



CDC FRONT

Teeth	Part Number	# of Bolt Holes	Mounting Arm Width	BCD	Inner Arm Diameter	Flange O.D.	Tooth O.D.	Mounting Web Thickness	Sprocket Width	Belt Ride Area	Flange Thickness	Tooth Pitch
46	CDC11464AA10	4	16.2	104	88.0	164.0	159.3	3.1	13.1	11.5	1.6	11
50	CDC11504AA10	4	16.2	104	88.0	178.4	173.2	3.0	13.1	11.5	1.6	11
55	CDC11554AA10	4	16.2	104	88.0	196.0	190.7	3.0	13.1	11.5	1.6	11
46	CDC11465AA10	5	17.3	130	115.6	164.0	159.3	3.1	13.1	11.5	1.6	11
50	CDC11505AA10	5	17.3	130	115.6	178.4	173.2	3.1	13.1	11.5	1.6	11
55	CDC11555AA10	5	17.3	130	115.6	196.0	190.7	3.0	13.1	11.5	1.6	11
60	CDC11605AA10	5	17.3	130	115.6	213.8	208.2	3.0	13.1	11.5	1.6	11