

# CDX/CDN™ CRANKSETS

SIMPLIFIES THE SETUP OF CARBON DRIVE SYSTEM WITH INTERNAL GEAR HUBS.

## S150 CRANKSET



*PROVIDES THE SPECIFIC BELT LINE REQUIRED*

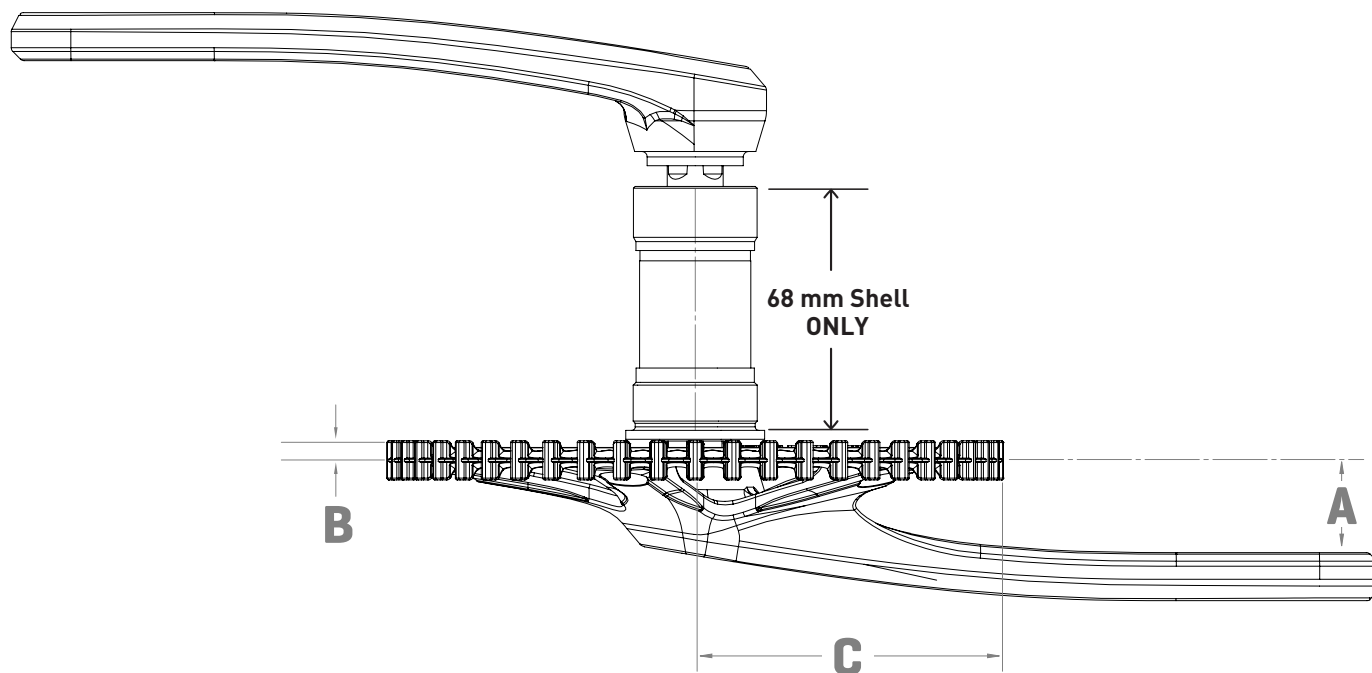
*SAVES VALUABLE TIME IN PRODUCTION*

*CONCENTRIC ASSEMBLY MINIMIZES VARIATION OF BELT TENSION*

*RECOMMENDED BOTTOM BRACKET:  
ZUMBA FROM THUN*

*170 AND 175 MM CRANK LENGTH OPTIONS*

*AVAILABLE IN MATTE BLACK  
OR MATTE SILVER*



### CDX/CDN GATES S150 CRANKSET

Teeth	Part Number	Arm Length	DIMENSION [MM]			
			A		B	C
			CDX	CDN		
46	FC S150 JIS 170 46T	170	30.0	29.5	5.5	79.6
46	FC S150 JIS 175 46T	175				79.6
50	FC S150 JIS 170 50T	170				86.6
50	FC S150 JIS 175 50T	175				86.6
55	FC S150 JIS 170 55T	170				95.4
55	FC S150 JIS 175 55T	175				95.4

For beltline and bottom bracket selection, refer to pg 35.